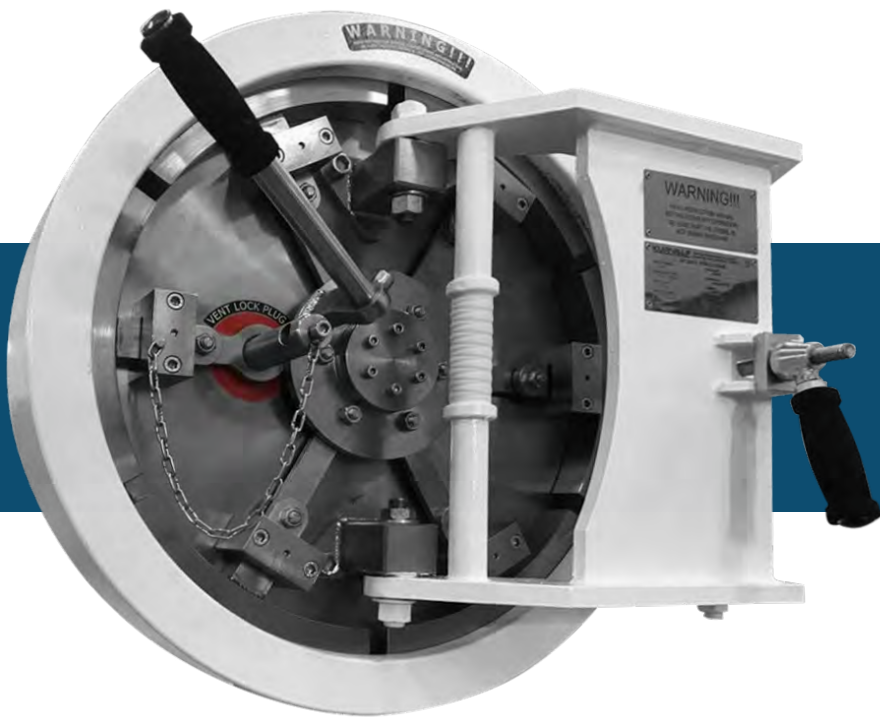


KURVALF

Pipeline Valves



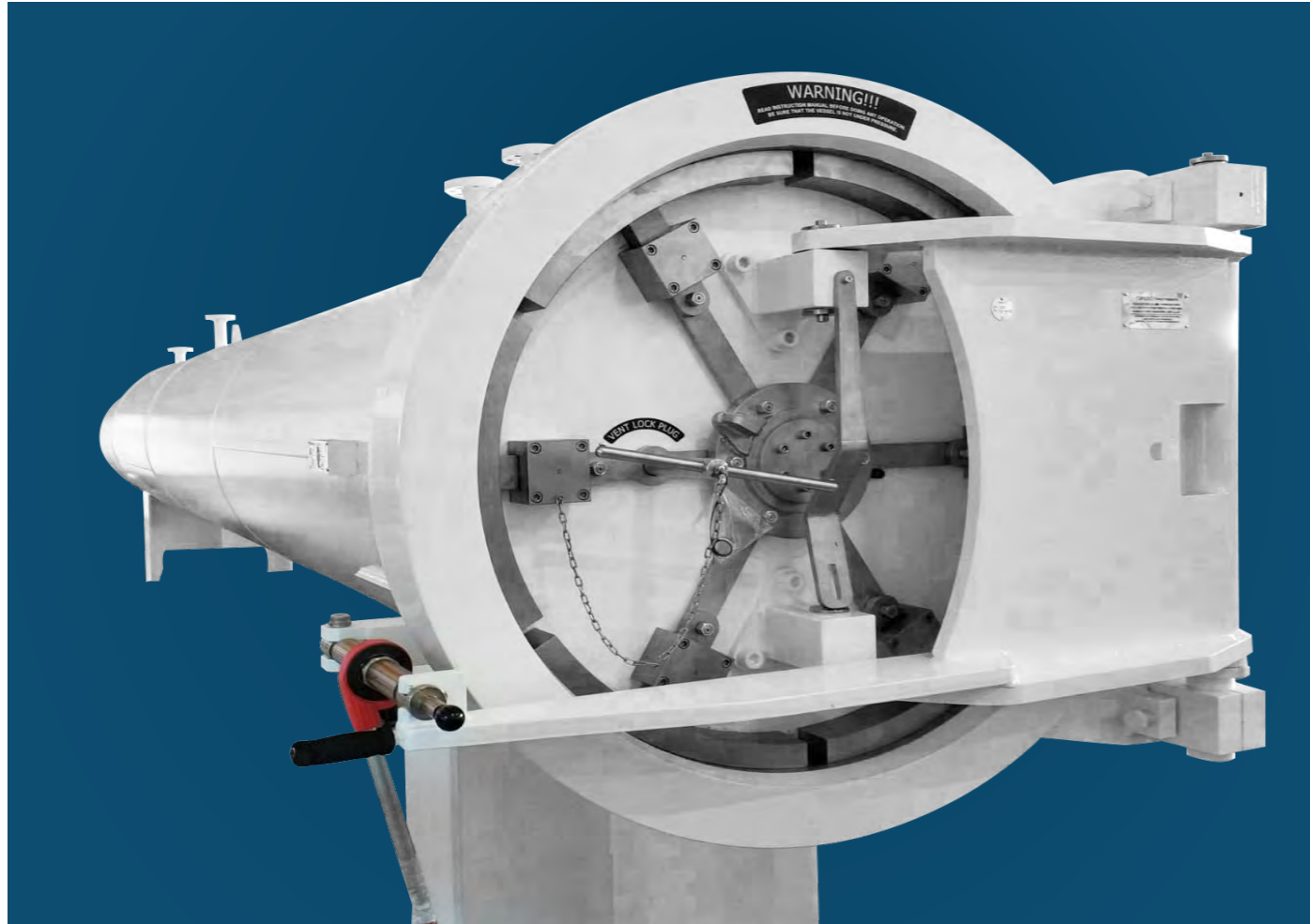
QUICK OPEN CLOSURE

VERTICAL AND HORIZONTAL



QUICK OPEN CLOSURE

KURVALF



High safety closures are used for safer and more useful operation of pressure vessels. The closures are designed with taking in consideration of all kind of climatic conditions. This closures are available with the ASME 'U' stamp Cloverleaf and can be supplied in compliance with most international design codes

DESIGN FEATURES & MATERIALS

Diameter Range:	6" - 72"
Design Code:	ASME & CE
Orientation:	Horizontal or Vertical
Pressure Class:	ANSI 150, ANSI 300, ANSI 600, ANSI 900, 1500, 2500
Safety Features:	Integrated safety lock and pressure alert valve
Body & Closure:	SA-105, SA-350 LF2, Overlay Stainless Steel or Inconel
Sealing:	Nitrile, Viton, HNBR or customer specified
Coating:	Primer standard, or per customer specification



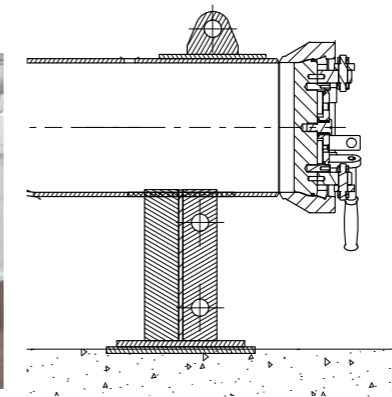
Ring roll forging

QUICK OPEN CLOSURE

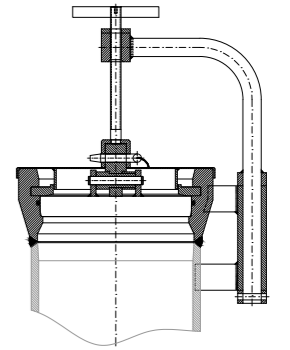
KURVALF

KURVALF CLOSURE IS AVAILABLE IN BOTH:

HORIZONTAL

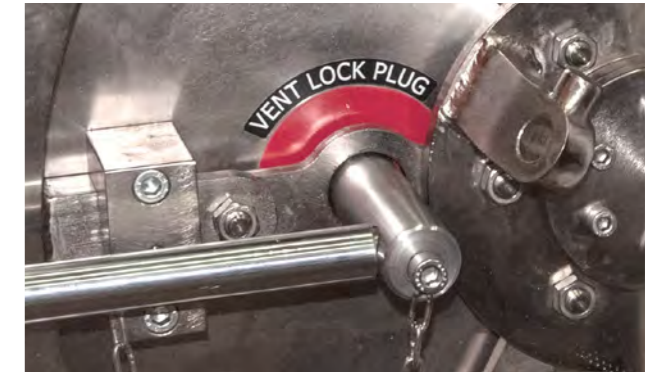


VERTICAL



CLOSURE SEALING

Our closure seal is designed to withstand deformation caused by pressure. It is easy to maintenance and it consists of standard parts that can be easily supplied.



CLOSURE SAFETY

Our closures are designed with high safety measures. They are in accordance with ASME Safety Instructions. There is a device that prevents handwheel to move when there is pressure. The closure cannot be opened without deactivating the device manually



COATING

Moving and non-paintable components on the closure are firstly sandblasted and then they are coated with electroless nickel plating or zinc plating. In this way, they gain resistance against corrosion.



EASY OPERATION

Quick Open Closure is designed in such a way that they require less maintenance and can be easily opened and closed by one person on site.



Kurvalf Makina Sanayi ve Ticaret Limited
Address: Çınarlık Cad. No:8 Çalı 16235 Bursa / TÜRKİYE
Phone : +90 (224) 482 46 97 - pbx
Fax: +90 (224) 482 46 99
kurvalf@kurvalf.com

